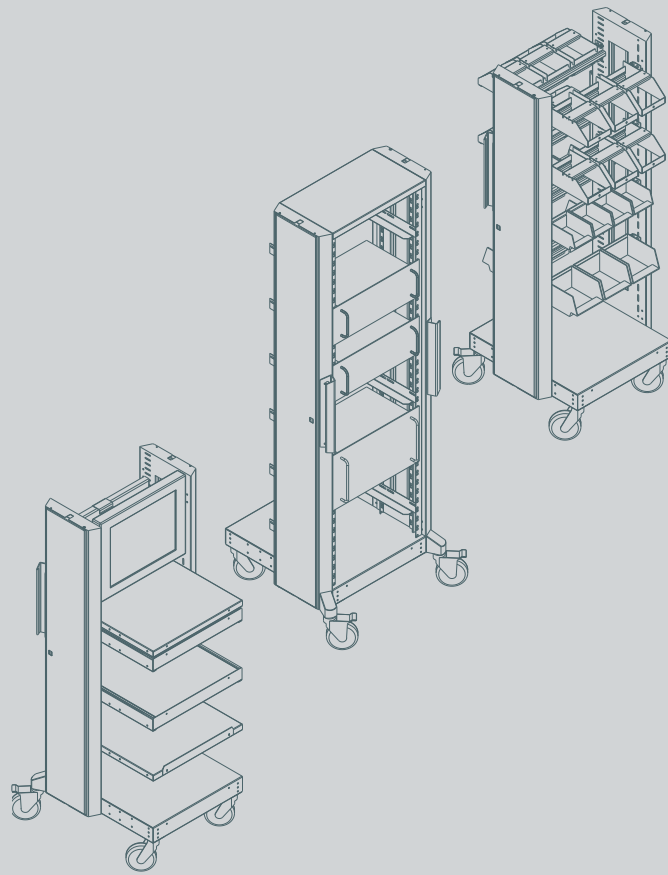


Elabo TaMo



Mobile
carrier system
for industrial use

Elabo TaMo Modular carrier system

M-Frame

TaMo is conceived modularly. The M-frame basic carrier consists of the pivoting casters, the bottom plate which serves at the same time as an undermost storage unit, and the sturdy welded lateral function carriers.

Function carriers

The function carriers can be executed in 2 widths and 3 heights according to the demanded applications. They serve as a universal integration element of all modular function parts and components. For cable installation, openings are integrated which can optionally be hidden by brush-strips.

Function carrier covers

The optional lateral function carrier covers can be folded open. They hide all adaption elements and offer safe protection of all integrated electrical outlets and other components.

Pivoting casters with track widening

The large, easy running casters overcome every threshold and bump. Aluminium pressure die-casting parts strengthen the mounting of the casters at the floor plate or the function carriers. Thus, even heavy loads are moved in a safe manner.



System accessories

The 25 mm height mounting grid accepts: storage trays, storage boards, drawers, bin rails, patch boards, universal rails for grip containers or cable reels, and many other equipment options.

Variable mounting positions

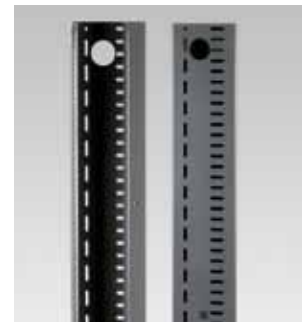
Storage boards can be mounted horizontally or inclined (by 0-15°, 15-30°). The 600 mm deep boards can be moved in depth.

Electrical installation and cable management

Cables, socket bars, compressed air and communication connections can be integrated without problems in the vertical function carriers.

System handles

Handle variants mountable horizontally and vertically on the outside offer simple and safe handling during transportation.



The Elabo TaMo system offers an enormous range of application-oriented executions.

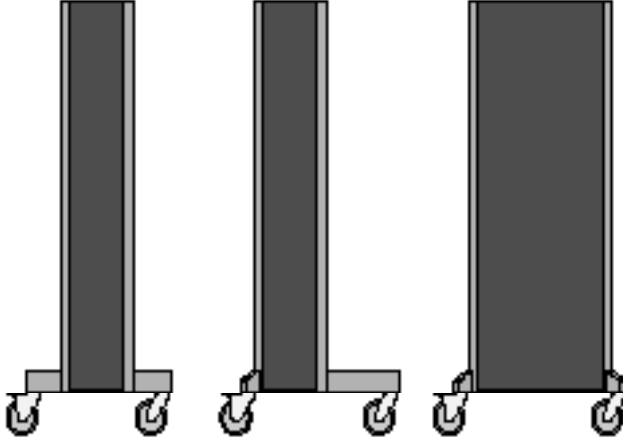
With few basic components it is possible to configure variations for almost every application requirement.

Thanks to the modular concept, adaptations to changing requests are possible at any time.

TaMo is also available in a conductive ESD version for ESD protected areas (EPA) in accordance with IEC 61340-5-1.

System grid Specifications

M-frame-Variants



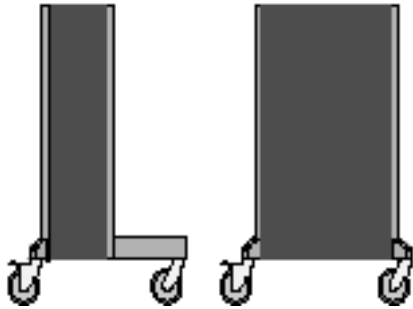
Depending on position and width of the vertical function carrier and the number of track widenings three construction variants are available:

center Function carrier widths: 300 mm

back Function carrier widths: 300 mm
2 track widenings

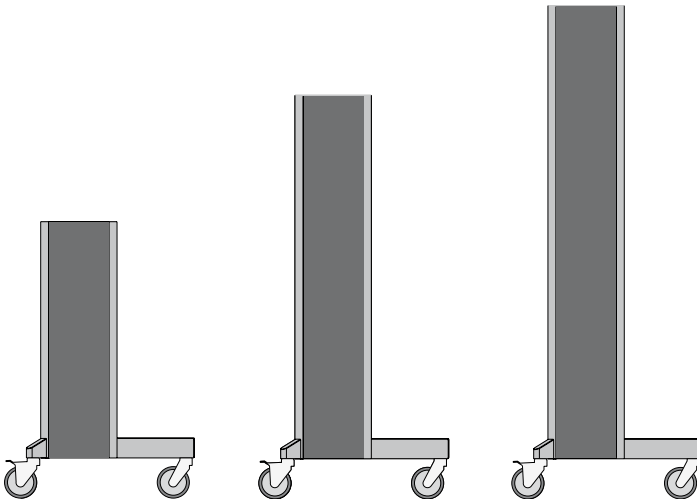
trolley Function carrier widths 600 mm
4 track widenings

Function carrier grid



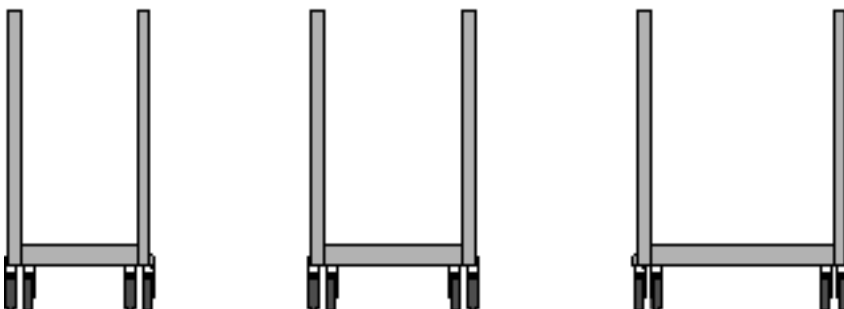
Width: 300, 600 mm
Depth: 55 mm
Parts height grid: 25 mm
Parts inclination adjustment: 0-15°, 15-30°

System height grid



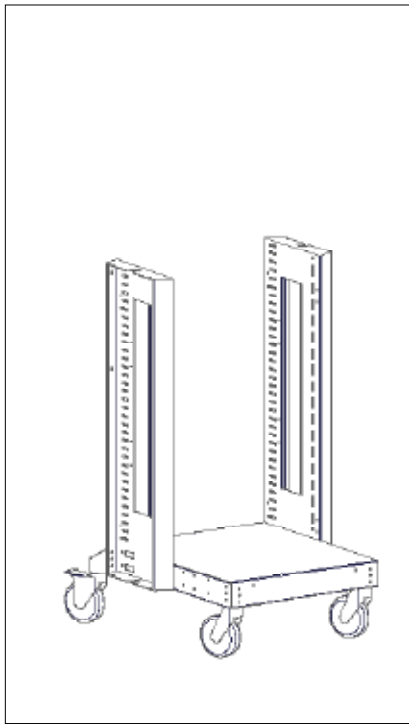
Total height: 1100, 1600, 1960 mm
Usable height: 860, 1360, 1720 mm

System width grid



Outside dimension: 630, 730, 930 mm
Clear inner width: 520, 620, 820 mm

System-depth: 600 mm (Base plate)



M-Frame back

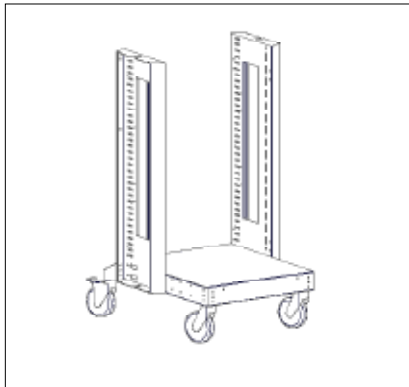
Color: basalt grey (RAL 7012)
powder-coated

M-Frame back

Basic carrier with floor plate,
2 vertical function carriers in 1 width and 3 heights,
assembled off-center at the side in the back.
4 casters with diameter 125 mm, front pivoting casters
assembled under the floor plate rear pivoting casters with
track widenings mounted on the vertical function carriers
and equipped with locks.

Depth: D = 600 mm
Max. total weight: 250 kg

Clear width
520 mm
Outer width
630 mm



M-Frame function carrier

Standard version
H = 1960 mm
H = 1600 mm
H = 1100 mm

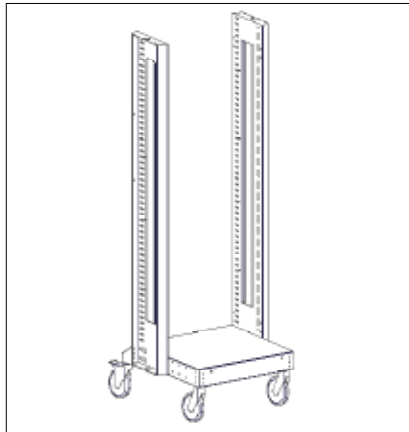
Article Number

W = 300 mm
T1-2B
T1-2F
T1-2L

ESD-Version
H = 1960 mm
H = 1600 mm
H = 1100 mm

T2-2B
T2-2F
T2-2L

Clear width
620 mm
Outer width
730 mm



M-Frame function carrier

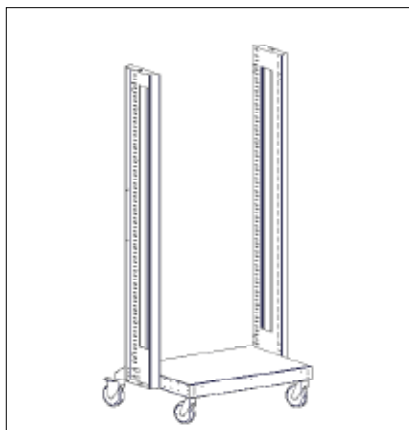
Standard version
H = 1960 mm
H = 1600 mm
H = 1100 mm

W = 300 mm
T1-1B
T1-1F
T1-1L

ESD version
H = 1960 mm
H = 1600 mm
H = 1100 mm

T2-1B
T2-1F
T2-1L

Clear width
820 mm
Outer width
930 mm



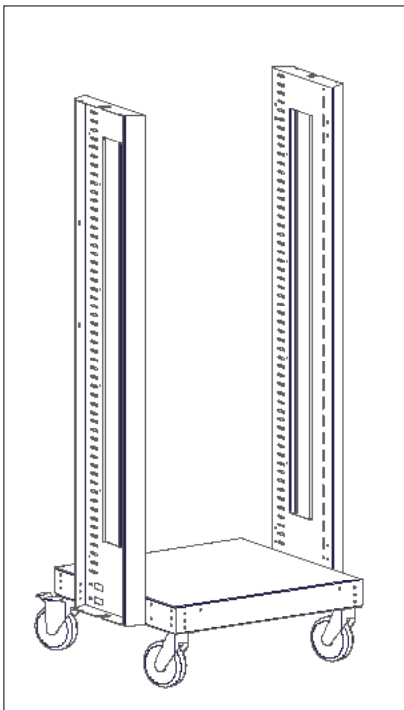
M-Frame function carrier

Standard version
H = 1960 mm
H = 1600 mm
H = 1100 mm

W = 300 mm
T1-0B
T1-0F
T1-0L

ESD version
H = 1960 mm
H = 1600 mm
H = 1100 mm

T2-0B
T2-0F
T2-0L



M-Frame center

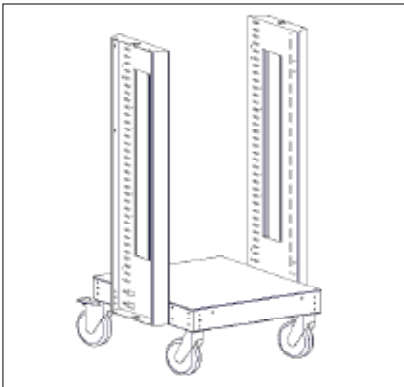
Color: basalt grey (RAL 7012)
powder-coated

M-Frame center

Basic carrier with floor plate,
2 vertical function carriers in 1 width and 3 heights,
assembled centrally at the side.
4 pivoting casters with 125 mm diameter,
all pivoting casters assembled under the floor plate, 2 rear
pivoting casters equipped with locks.

Depth: D = 600 mm
Max. total weight: 250 kg

Clear width
520 mm
Outer width
630 mm



M-Frame function carrier

Standard version
H = 1960 mm
H = 1600 mm
H = 1100 mm

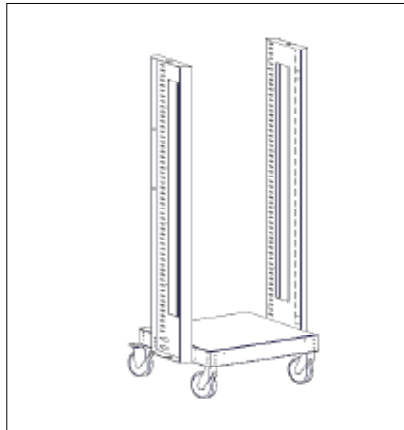
Article Number

W = 300 mm
T4-2B
T4-2F
T4-2L

ESD version
H = 1960 mm
H = 1600 mm
H = 1100 mm

T5-2B
T5-2F
T5-2L

Clear width
620 mm
Outer width
730 mm



M-Frame function carrier

Standard version
H = 1960 mm
H = 1600 mm
H = 1100 mm

W = 300 mm
T4-1B
T4-1F
T4-1L

ESD version
H = 1960 mm
H = 1600 mm
H = 1100 mm

T5-1B
T5-1F
T5-1L

Clear width
820 mm
Outer width
930 mm



M-Frame function carrier

Standard version
H = 1960 mm
H = 1600 mm
H = 1100 mm

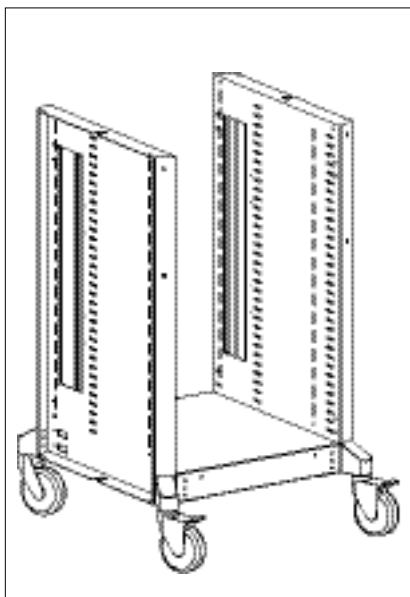
W = 300 mm
T4-0B
T4-0F
T4-0L

ESD version
H = 1960 mm
H = 1600 mm
H = 1100 mm

T5-0B
T5-0F
T5-0L

M-Frame trolley

Color: basalt grey (RAL 7012)
powder-coated

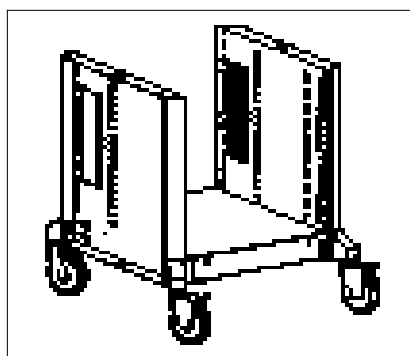


M-Frame trolley

Basic carrier with floor plate,
2 vertical function carriers 600 mm wide, in 3 heights,
assembled at the side. 4 casters with diameter 125 mm,
with track widenings mounted at the vertical function
carriers, rear casters equipped with locks

Depth: D = 600 mm
Max. total weight: 250 kg

Clear width
520 mm
Outer width
630 mm



M-Frame function carriers

Standard version
H = 1960 mm
H = 1600 mm
H = 1100 mm

ESD-version
H = 1960 mm
H = 1600 mm
H = 1100 mm

Article
Number
W = 600 mm
T1-2A
T1-2E
T1-2K

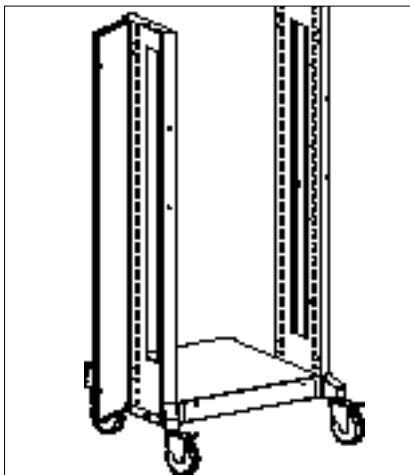
T2-2A
T2-2E
T2-2K

Elabo places highest value on your safety and the trouble-free use of our products. Given the enormous variety offered in the individual configuration of TaMo, you may get closer to the limits of stability of the mobile system than intended. We therefore recommend reviewing your configuration with our consultants. We will gladly be available for advice at any time.

System handles Function carrier covers Brush strips

Hinged covers

for function carriers 300 mm and 600 mm



Set of hinged covers for function carriers

for fitting at the side into the 300 mm and 600 mm wide vertical function carrier, hinged for simple access to the function carrier, made of metal.

Color: Grey-black (RAL 7021)

ESD-Version metal

for H = 1960 mm

for H = 1600 mm

for H = 1100 mm

for

W = 600 mm

T2-3K

T2-3L

T2-3M

Article Number

for

W = 300

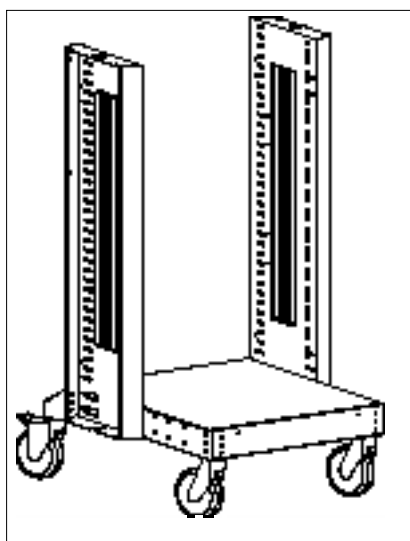
mm

T2-3F

T2-3G

T2-3H

Set brush strips



Set of brush strips

2 pieces, fits 300 or 600 mm wide function carriers, to be inserted into existing openings, for concealed cable inlet into the vertical function carriers.

Color: black

W = 50 mm

for M-Frame

H = 1960 mm

H = 1600 mm

H = 1100 mm

Brush strip

H = 1495 mm

H = 1140 mm

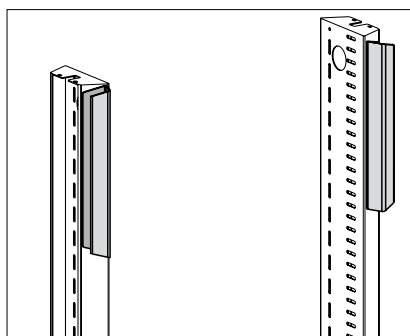
H = 640 mm

T2-3Q

T2-3R

T2-3S

System handles



Set of vertical system handles

2 pieces, to be mounted on the vertical function carrier, made of powder-coated steel sheet.

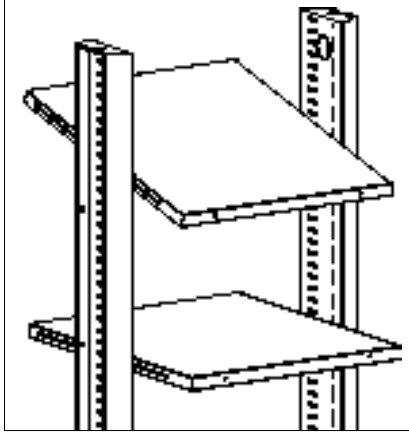
Color: basalt grey (RAL7012)

W = 50 mm, D = 45 mm, H = 350 mm

T3-5A

Shelves Board strips

**Storage board
inclinable and
slidable**



Shelf inclinable

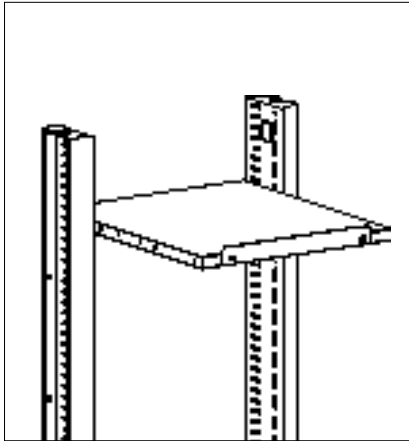
made of powder-coated sheet metal, mountable on the vertical function carrier, vertically adjustable in steps, in 2 ranges steplessly inclinable (0-15°, 15-30°).
Color: light grey (RAL 7035)
max. uniform load 60 kg with assembly on TaMo center
max. uniform load 40 kg with assembly on TaMo back
H = 30 mm, D = 600 mm

W = 820 mm
W = 620 mm
W = 520 mm

**Article
Number**

**T3-0K
T3-0L
T3-0M**

Board strip



Board strip

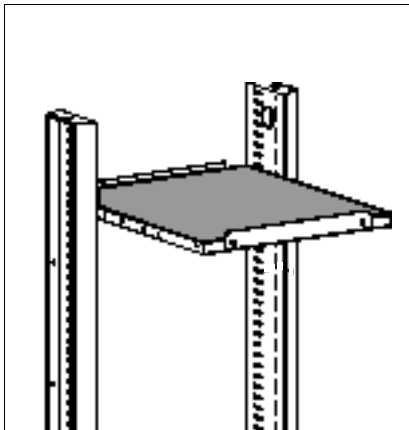
for mounting at front or rear edge of the Storage board.
Made of powder-coated steel sheet.
Color: Black grey (RAL 7021)
H = 15 mm

for Storage board
W = 820 mm
W = 620 mm
W = 520 mm

Board strip
W = 710 mm
W = 510 mm
W = 510 mm

**T3-0P
T3-0Q
T3-0Q**

Rubber cover



Rubber cover

slip resistant covering in conductive ESD synthetic rubber.
A board strip in the front and the rear of the Storage board is necessary for assembly.
Color: platinum grey
T = 2 mm, D = 600 mm

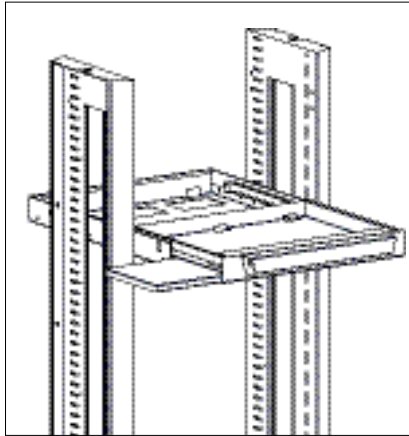
W = 820 mm
W = 620 mm:
W = 520 mm

**T3-0T
T3-0U
T3-0V**

Pull-out Storage boards Keyboard drawers Drawers

Color: light grey (RAL 7035)
powder-coated

**Keyboard shelf
with
mouse pad /
laptop drawer**



Keyboard drawer with mouse pad / laptop drawer
400 mm forwards extendable, usable height for keyboard or laptop 39 mm, at the front with heel-of-the-hand support 50 mm, mouse pad 220 x 215 mm (WxD) extendable to the left or to the right, housing and pull-out shelf made of powder-coated steel sheet,
max. uniform load 30 kg with assembly to TaMo center
max. uniform load 20 kg with assembly to TaMo back.
D = 600 mm, usable D = 540 mm, H = 65 mm

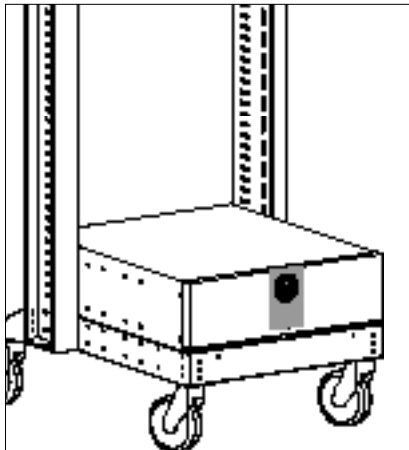
**Article
Number**

W = 820 mm
W = 620 mm
W = 520 mm

Handle
T3-5T
T3-5U
T3-5V

T3-1K
T3-1L
T3-1M

Drawer



Drawer
mountable at the vertical function carriers, vertically adjustable in steps. Drawer with locking handle and partial pull-out, housing and drawer made of powder-coated steel sheet,

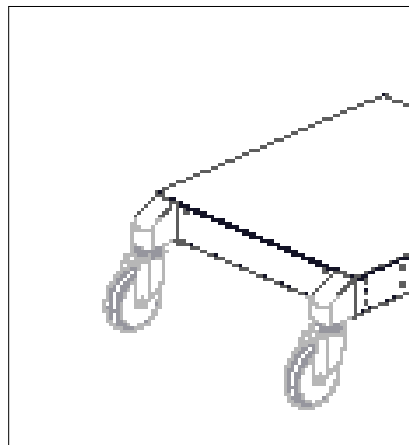
max. uniform load 25 kg with assembly to TaMo center
max. uniform load 20 kg with assembly to TaMo back
Housing: D = 600 mm, H = 150 mm
Drawer inner dimensions: D = 395 mm, H = 97 mm

lockable
W = 820 mm
W = 620 mm
W = 520 mm

Inner drawer width
W = 755 mm
W = 555 mm
W = 455 mm

T3-1F
T3-1C
T3-1D

**Set
Track widening**

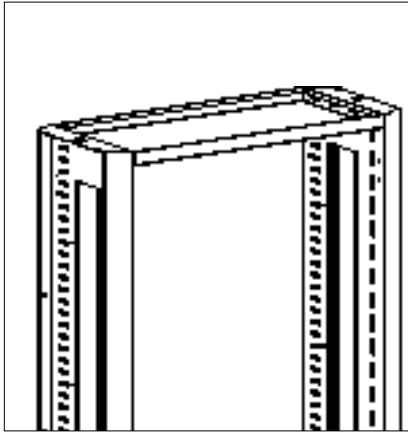


Track widening
2-piece set,
for mounting on M-frame or function carrier. Track widening made of powder-coated pressure cast aluminum
colour: basalt grey (RAL7012)

T3-5B

Storage trays Cable holders Test probe holders

for function carriers 300 mm



Storage tray

mountable at the vertical function carriers, vertically adjustable, optionally usable as a storage tray or cover, made of powder-coated steel sheet.

Color: light grey (RAL 7035)

H = 30 mm

W = 820 mm

W = 620 mm

W = 520 mm

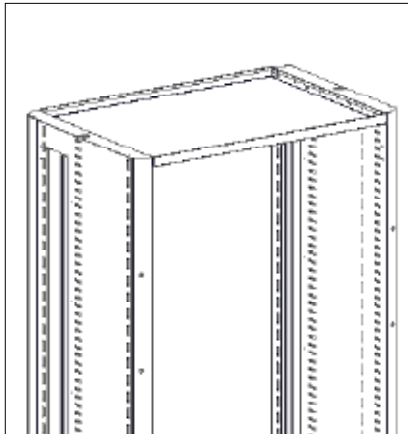
Article Number

T3-4E

T3-4F

T3-4G

for function carriers 600 mm



Storage tray

mountable at the vertical function carriers, vertically adjustable, optionally usable as a storage tray or cover, made of powder-coated steel sheet.

Color: light grey (RAL 7035)

H = 30 mm

W = 820 mm

W = 620 mm

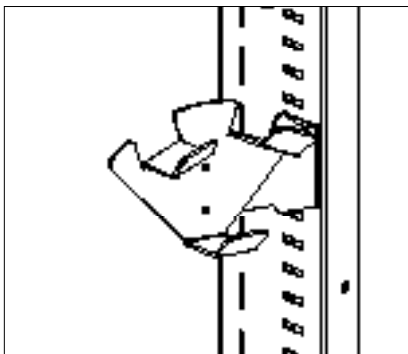
W = 520 mm

T3-4A

T3-4B

T3-4C

Cable holder



Cable holder

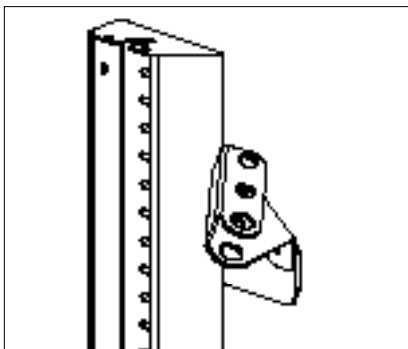
made of powder-coated aluminum sheet, to be mounted on the vertical function carrier, to hold cables and wires in 2 levels.

Color: light grey (RAL 7035)

W = 195 mm, D = 70 mm, H = 123 mm

T3-6E

Test probe holder



Test probe holder

made of powder-coated aluminum sheet, to be mounted on the vertical function carrier, to hold 2 test probes with max. diameter of 17 mm, 1 test probe with max. diameter of 21 mm.

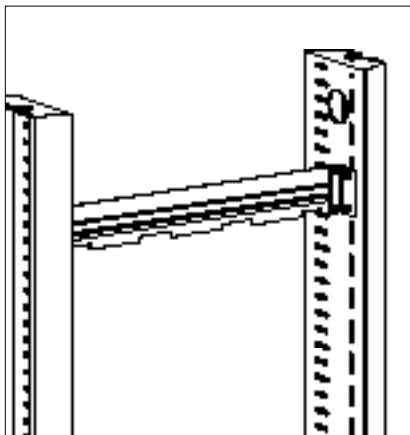
Color: light grey (RAL 7035)

W = 92 mm, D = 113 mm, H = 78 mm

T3-6F

Universal carrier rail Cable reel holder Patchboards

Universal carrier bar



Universal carrier bar

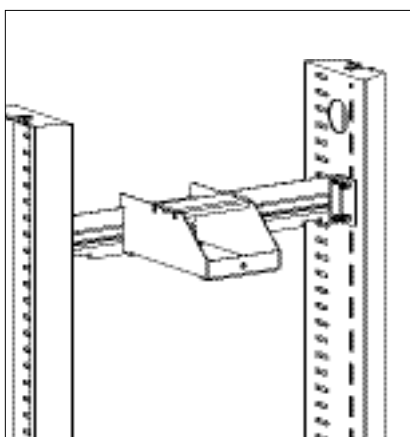
made of powder-coated steel sheet for fitting bins of Bosch, Kappes, Schäfer and Treston brands, cable reel supports, etc. at the vertical function carrier, vertically adjustable.
Color: light grey (RAL 7035)
D = 20 mm, H = 55 mm

W = 820 mm
W = 620 mm

Article Number

**T3-2A
T3-2B**

Cable reel holder



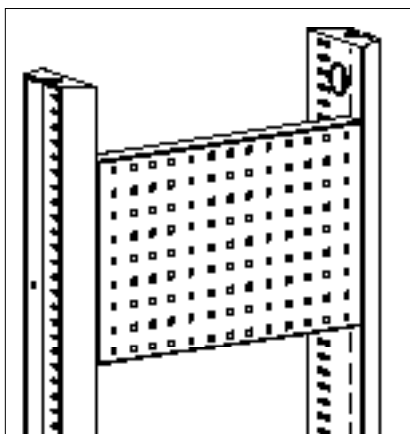
Cable reel holder

made of powder-coated steel sheet, to be mounted on universal carrier rail for receiving cable reels with max. outer diameter of 200 mm and inner diameter of 18 or 60 mm.
Color: light grey (RAL 7035)
D = 220 mm, H = 95 mm

	for cable reels	
W = 130 mm	W = 105 mm	
W = 105 mm	W = 80 mm	

**T3-7A
T3-7B**

Patchboard



Patchboard

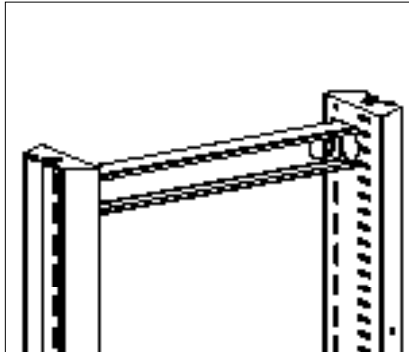
made of powder-coated steel sheet, with Euro perforation for mounting of supporting and organizing elements on, the vertical function carriers, adjustable.
Color: light grey (RAL 7035)
Perforation: 9.2 x 9.2 mm in 38 mm steps
D = 30 mm, H = 341 mm

W = 820 mm
W = 620 mm
W = 520 mm

**T3-3A
T3-3B
T3-3C**

Carrier rails, Mounting brackets for socket strips

**System 60
Carrier rail**



System 60 Carrier rail

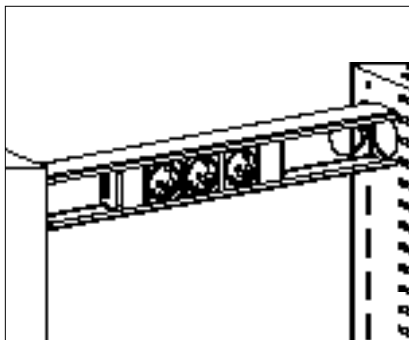
System 60 metal carrier rail for mounting socket and data strips as well as compressed-air supply on the vertical function carriers, vertically adjustable in steps, made of powder-coated steel sheet.
Color: light grey (RAL 7035)
D = 74 mm, H = 62 mm

W = 820 mm
W = 620 mm
W = 520 mm

**Article
Number**

**T3-2E
T3-2F
T3-2G**

**System 60
Socket strip**



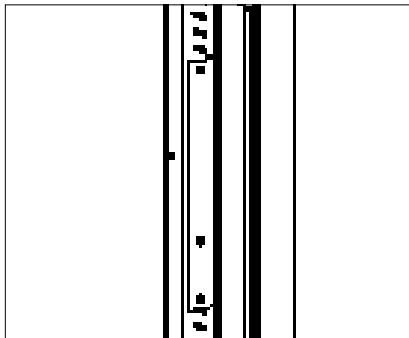
System 60 Socket strip

Plastic strip with GST 18 in and output jack system, out- lets angled 45° for elbow plugs.
Color: black
3 Schuko (German safety standard) sockets
5 Schuko sockets
On/Off switch, 3 Schuko sockets
On/Off switch, 5 Schuko sockets

for further modules see Elabo TaMas-Catalogue P. 14-15

**C1-8A
C1-8B
C1-8C
C1-8D**

**Mounting
bracket
for 1-HE
socket strips**

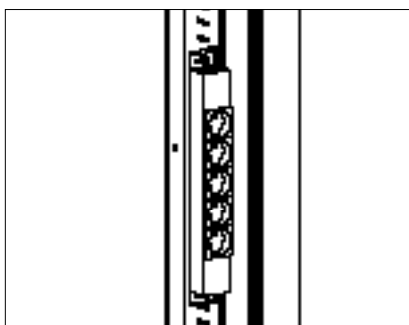


Mounting bracket

for 1-HE socket strips
for mounting 1-HE socket strip with 5 outlets, to be mounted in the vertical function carriers (300 and 600 mm wide), made of powder-coated sheet metal.
Color: basalt grey (RAL 7012)
W = 50 mm, D = 25 mm, H = 380 mm

T3-2K

**1-HE
socket strip**



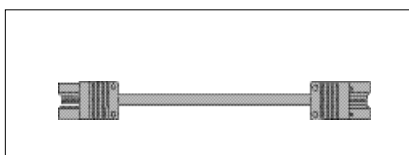
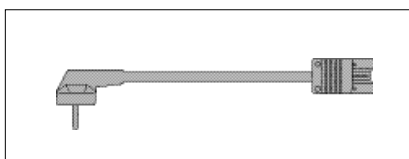
1-HE socket strip

with GST- 18 System plug and output jack, socket outlets angled 45° for elbow plugs, to be mounted in the vertical function carriers.
Color: grey
W = 45 mm, D = 48 mm, H = 370 mm

5 Schuko sockets

T3-2L

**Mains lead,
Mains connecting
cable**



Mains lead, Mains connecting cable

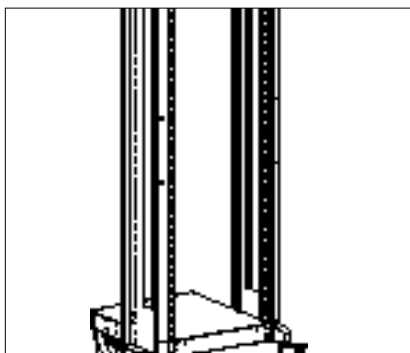
3-pole cable with 1.5 mm² cross-section, for power supply and connecting of System 60 and 1-HE socket strips.

Schuko-Plug - GST-18-Jack	L = 200 cm
Schuko-Plug - GST-18-Jack	L = 300 cm
Schuko-Plug - GST-18-Jack	L = 400 cm
GST-18-Plug - GST-18-Jack	L = 50 cm
GST-18-Plug - GST-18-Jack	L = 100 cm
GST-18-Plug - GST-18-Jack	L = 250 cm

**C1-8V ZL200
C1-8V ZL300
C1-8V ZL400
C1-8W ZL50
C1-8W ZL100
C1-8W ZL250**

19" Uprights 19" Guide rails Support boards for 19" Housings

**Set
19" Uprights**



19" Uprights

4 pieces fitting on the left and on the right to vertical function carriers 300 and 600 with clear width of 520 mm for mounting of cage nuts in the front and for lateral mounting of support bars, made of powder-coated steel sheet.

Color: light grey (RAL 7035)

W = 33 mm, D = 55 mm

H = 1960 mm

H = 1600 mm

H = 1100 mm

H = 750 mm

H = 38 HE (1689 mm)

H = 29 HE (1289 mm)

H = 18 HE (800 mm)

H = 10 HE (445 mm)

**Article
Number**

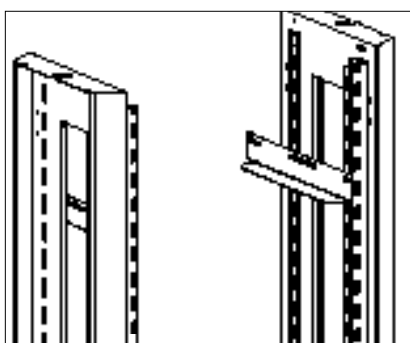
T3-2W

T3-2V

T3-2U

T3-2T

**Set
19" Guide rails**



19" Guide rails

2 pieces, for mounting on the side of TaMo-19" uprights, incl. fixing material, made of yellow chromed steel sheet.

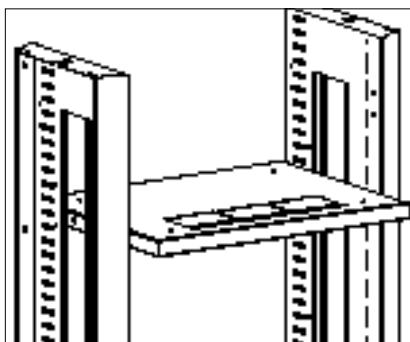
Max. uniform load 60 kg with assembly to TaMo center

Max. uniform load 40 kg with assembly to TaMo back

D = 340 mm

T3-2Y

**Support board
for
19" Housings**



Support board for 19" Housings

made of powder-coated steel sheet, mountable on vertical function carriers, height adjustable in steps, steplessly inclinable in 2 ranges (0-15°, 15-30°).

Color: light grey (RAL 7035)

W = 520 mm, H = 30 mm

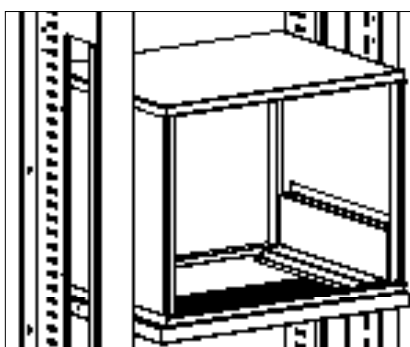
D = 600 mm

D = 400 mm

T3-6A

T3-6B

19" Housing



19" Insert housing

Sturdy sheet steel housing without back panel, with ventilation slits in the base plate, folding handles and 4 plastic feet.

Color: light grey (RAL 7035)

W = 515 mm

H = 16 HE

H = 12 HE

H = 8 HE

H = 6 HE

H = 4 HE

H = 3 HE

D = 390 mm

93-1G

93-1E

93-1D

93-1C

93-1B

93-1A

D = 600 mm

93-2G

93-2E

93-2D

93-2C

93-2B

2 pieces guide rails

93-1F

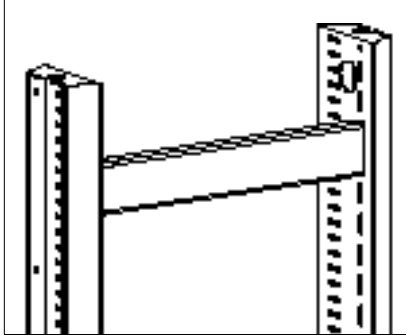
93-2F

Cage nuts for 19" Insert housing or 19" uprights

73-4P

TFT monitor support PC tower support System cover

**Crossarm
for TFT support**



Crossarm

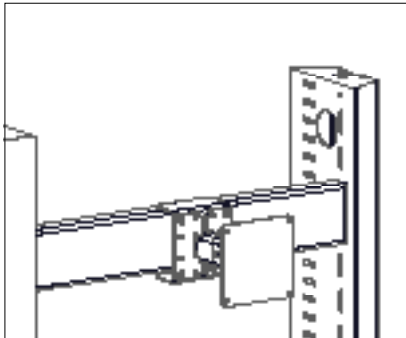
made of powder-coated steel sheet, height adjustable in the vertical function carriers.
Color: light grey (RAL 7035)
D = 30 mm, H = 85 mm

W = 820 mm
W = 620 mm
W = 520 mm

**Article
Number**

**T3-7K
T3-7L
T3-7M**

**TFT Monitor
support**



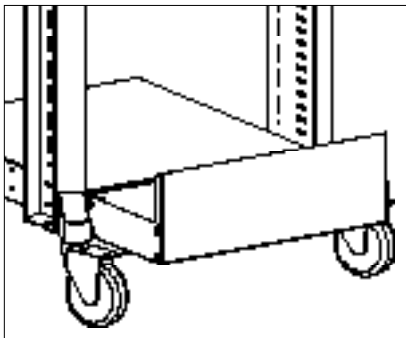
TFT Monitor support

Ball-and-socket joint for fitting into crossarm, mounting device for TFT monitors according to VESA standard with a 75x75 mm or 100x100 mm plate
Ball-and-socket joint load carrying capacity 10 kg.
Color: light grey (RAL 7035)
W = 75/100 mm, D = 150 mm, H = 75/100 mm

for more TFT adapters see Elabo TaCom-Catalogue P. 27

C3-5A

**PC-Tower
support**



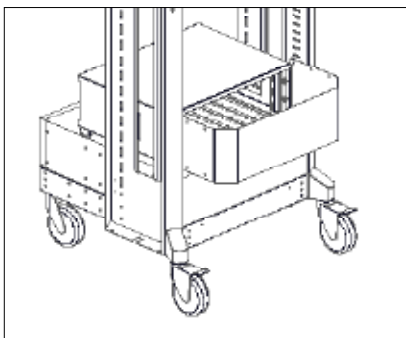
PC-Tower support

for assembly at rear side of the floor plate of the TaMo M-frames, suitable for PC with max. width of 240 mm
max. load capacity 20 kg.
Color: basalt grey (RAL 7012)
D = 250 mm, H = 180 mm

W = 820 mm
W = 620 mm
W = 520 mm

**T3-6K
T3-6L
T3-6M**

**System
cover**



System cover

for assembly at rear side of side carriers of the TaMo M-frame, for the protection of equipment sockets or connecting cables.
Color: Basalt grey (RAL 7012)

W = 520 mm

T3-6R



ELABO GmbH.
Highly flexible solutions.
Efficient and economic

Elabo is the partner for enterprises and institutions which produce or integrate electrical and electronic products and components or use those components for quality assurance. For these customers Elabo develops modular and custom-made highly flexible and very economic systems.

The range of products extends from the conception and equipment of special rooms – for example electrical labs – to a customer's individual engineering and the construction of complex quality assurance facilities.

Elabo's efficiency is based on comprehensive know-how in electrical engineering and electronics, mechanics and ergonomics, process management and logistics as well as sound knowledge of work place health, safety regulations and technical standards. Elabo is both a hardware producer and a knowledge service provider, who focuses its performances on the specific requirements of its customers. Most of our products are made in-house. The basis for Elabo's strong position is that we have the capabilities and technical facilities for high-quality realization of concepts.

Elabo, founded in 1972, has 150 employees and is today a European market leader in its field.

Elabo LabSystems provides complete turn-key solutions for quality assurance, research, development and trial, prototyping and service workshops in electric laboratories.



Elabo Electronic develops and produces test and measurement instruments and power supply devices as well as software solutions with modular programming for various test procedures. Moreover, Elabo Electronic provides the calibration of inspection equipment and their compliance with European standards.



Elabo TrainingSystems is the leading partner in basic and advanced vocational education in electrical engineering, electronics and neighboring fields. Our performance spectrum ranges from the planning and complete equipping of classrooms to the provision of all teaching materials and seminars for instructors.



Elabo AssemblySystems develops and realizes assembly workstations and assembly lines – also with integrated quality, function and safety test systems – for manual and semiautomatic production.



Elabo TestSystems provides the engineering and realization of compact test stations, complex test systems and process-integrated testing networks for comprehensive quality assurance in the electrical industry and industry sectors which utilize electronics.



ELABO ProcessControlSystems realizes process control stations for monitoring and controlling processes in industry and energy utilities, electronic data processing and computer centers, and also in traffic and building management, security engineering and many other areas.

